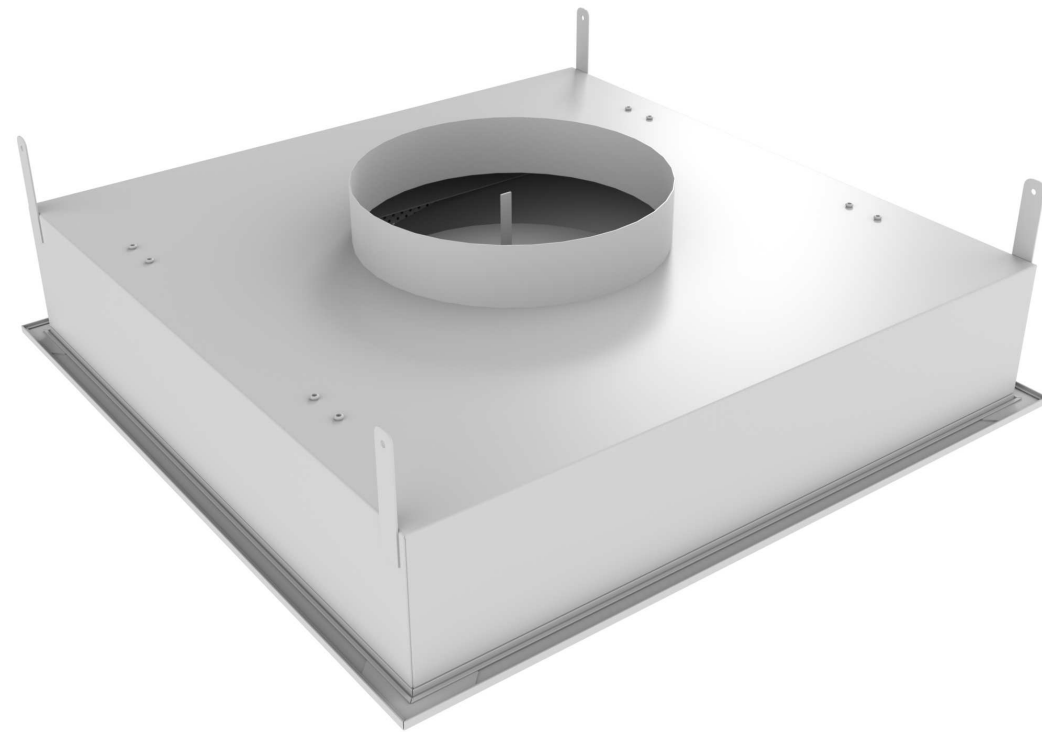


LFD3

LAMINAR FLOW DIFFUSER

FEATURES:

- PROVIDES A UNIFORM, UNIDIRECTIONAL LOW VELOCITY AIR PATTERN THAT DISPLACES AIRBORNE PARTICULATE DOWN AND AWAY FROM THE AREA BELOW THE DIFFUSER
- CLASSIFIED AS AN ASHRAE GROUP E NON-ASPIRATING DIFFUSER, THE LFD MEETS ALL ASHRAE 170 PERFORMANCE AND CONSTRUCTION REQUIREMENTS
- A "V" BAFFLE OPTIMIZES FLOW AND VELOCITY EQUALIZATION ACROSS THE DIFFUSER FACE USING A MULTI-PIECE DUAL-CHAMBER BAFFLE SYSTEM
- INTERNAL CONE DAMPER IS IDEAL WHERE INTERSTITIAL SPACE RESTRICTIONS MAKE COLLAR MOUNTED BUTTERFLY DAMPERS ARE IMPRACTICAL
- AVAILABLE IN MANY SIZES AND CONFIGURATIONS, THE LFD IS THE MOST VERSATILE LAMINAR FLOW DIFFUSER ON THE MARKET



PRICE | **CRITICAL ENVIRONMENTS**

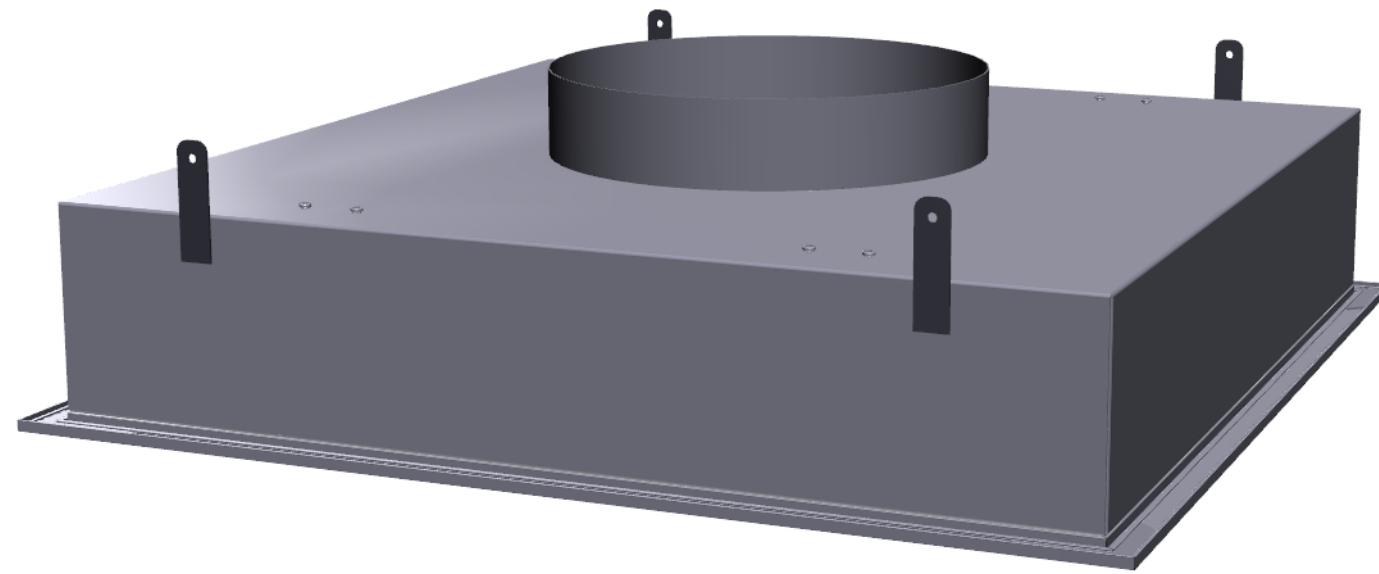
PROJECT:

275208

Revision: 0

03-13-2023

LFD3 
LAMINAR FLOW DIFFUSER
3D INTERACTIVE MODELS



CONFIGURATION SHOWN:
24x24 UNIT SIZE
10" ROUND INLET

**CLICK IMAGE TO
ACTIVATE 3D PDF**

- USE THE SCROLL WHEEL TO ZOOM
- HOLD DOWN THE LEFT MOUSE BUTTON TO ROTATE
- HOLD DOWN CTRL AND LEFT MOUSE BUTTON TO MOVE

PRICE | **CRITICAL ENVIRONMENTS**

PROJECT:

275208

Revision: 0

03-13-2023

LFD3

LAMINAR FLOW DIFFUSER CONSTRUCTION DETAILS AND OPTIONS

STANDARD CONSTRUCTION

- CONTINUOUSLY WELDED VERTICAL PLENUM SEAMS, SPOT WELDED INLET
- STAINLESS STEEL QUICK RELEASE 1/4 TURN FASTENER
- DUAL CHAMBER DESIGN WITH ENGINEERED EQUALIZATION BAFFLE
- REMOVABLE BAFFLE PACK
- STAINLESS STEEL RETAINER CABLES (TWO) PER UNIT

PLENUM MATERIAL

- ALUMINUM
- STAINLESS STEEL - 304

FACE AND FRAME MATERIAL

- ALUMINUM (EXTRUDED FRAME)
- STAINLESS STEEL - 304

PLENUM FINISH

- WHITE POWDER COAT - B12
- STAINLESS STEEL - 2B
(OPTIONAL FINISHES AVAILABLE)

FACE FINISH

- WHITE POWDER COAT - B12
- STAINLESS STEEL - #4
(OPTIONAL FINISHES AVAILABLE)

INLET LOCATION

- TOP - TOP INLET
- SIDE-L - SECONDARY PLENUM WITH LENGTH SIDE OVAL INLET
- SIDE-W - SECONDARY PLENUM WITH WIDTH SIDE OVAL INLET

INLET SIZE

- 6" (152mm) ROUND
- 8" (203mm) ROUND
- 10" (254mm) ROUND
- 12" (305mm) ROUND

DAMPER

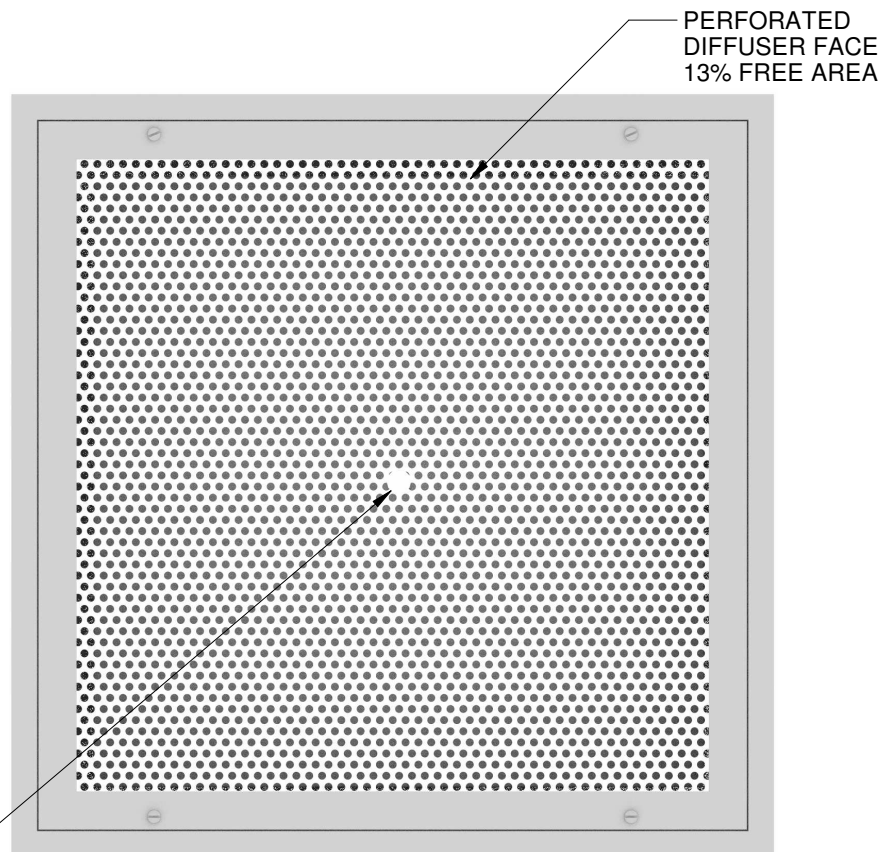
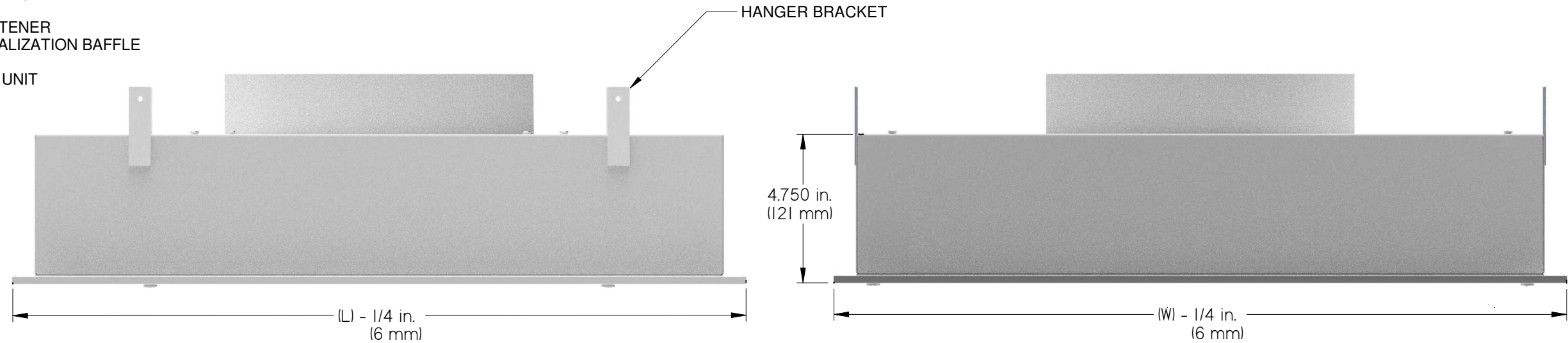
- VCR1 - CONE DAMPER, STANDARD WHITE
- VCR1SS - CONE DAMPER, STAINLESS STEEL
- VCR1F - FACE ACCESS CONE DAMPER, STANDARD WHITE
- VCR1SSF - FACE ACCESS CONE DAMPER, STAINLESS STEEL

OPTIONS

- AFI-50 - 0.5" THICK ALUMINUM FOIL-BACKED FIBERGLASS EXTERNAL INSULATION
- AFI-150 - 1.5" THICK ALUMINUM FOIL-BACKED FIBERGLASS EXTERNAL INSULATION
- PF - PROTECTIVE FILM

NOTES

- FACTORY TOLERANCE +/- (1/32)"



INLET SIZES	IMPERIAL (in.)			METRIC (mm)		
	NOMINAL (W x L)	ACTUAL WIDTH	ACTUAL LENGTH	NOMINAL (W x L)	ACTUAL WIDTH	ACTUAL LENGTH
6, 8	12 x 18	11.75	17.75	-	-	-
6, 8	12 x 24	11.75	23.75	300 x 600	294	594
6, 8	12 x 30	11.75	29.75	-	-	-
6, 8	12 x 36	11.75	35.75	-	-	-
6, 8	12 x 42	11.75	41.75	-	-	-
6, 8	12 x 48	11.75	47.75	300 x 1200	294	1194
6, 8	12 x 60	11.75	59.75	-	-	-
6, 8	12 x 72	11.75	71.75	-	-	-
6, 8, 10, 12	24 x 24	23.75	23.75	600 x 600	594	594
6, 8, 10, 12	24 x 30	23.75	29.75	-	-	-
6, 8, 10, 12	24 x 36	23.75	35.75	-	-	-
6, 8, 10, 12	24 x 42	23.75	41.75	-	-	-
6, 8, 10, 12	24 x 48	23.75	47.75	600 x 1200	594	1194
6, 8, 10, 12	24 x 60	23.75	59.75	-	-	-
6, 8, 10, 12	24 x 72	23.75	71.75	-	-	-

PRICE | **CRITICAL ENVIRONMENTS**

PROJECT:

275208

Revision: 0

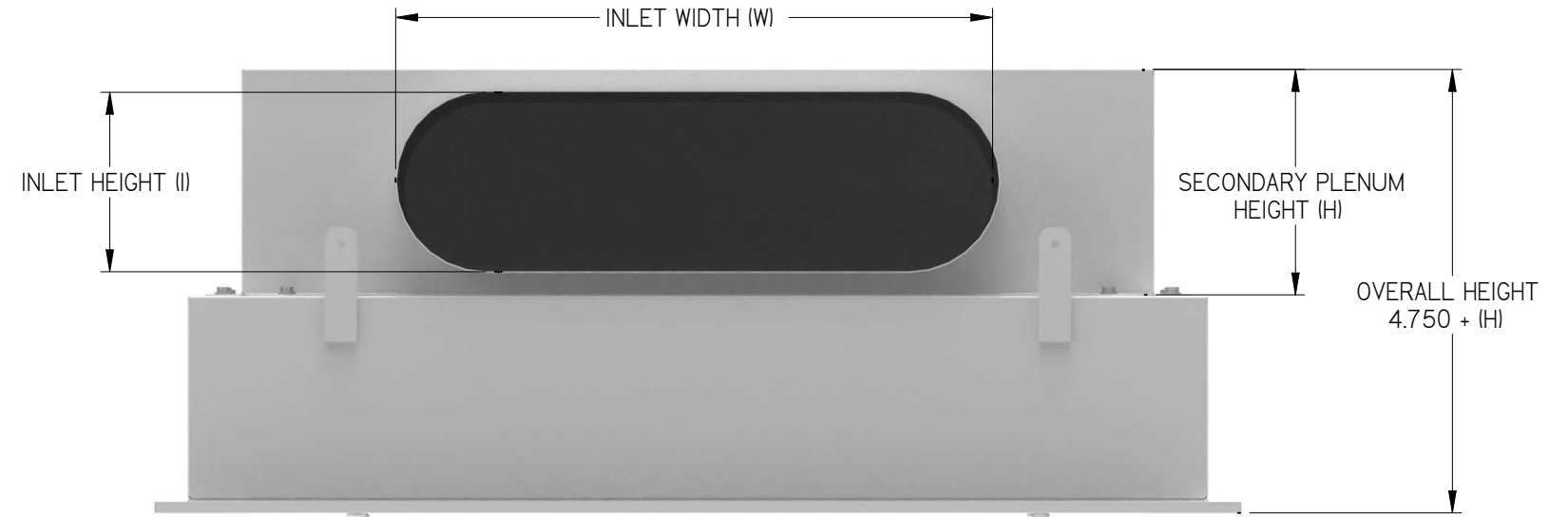
03-13-2023

LFD3

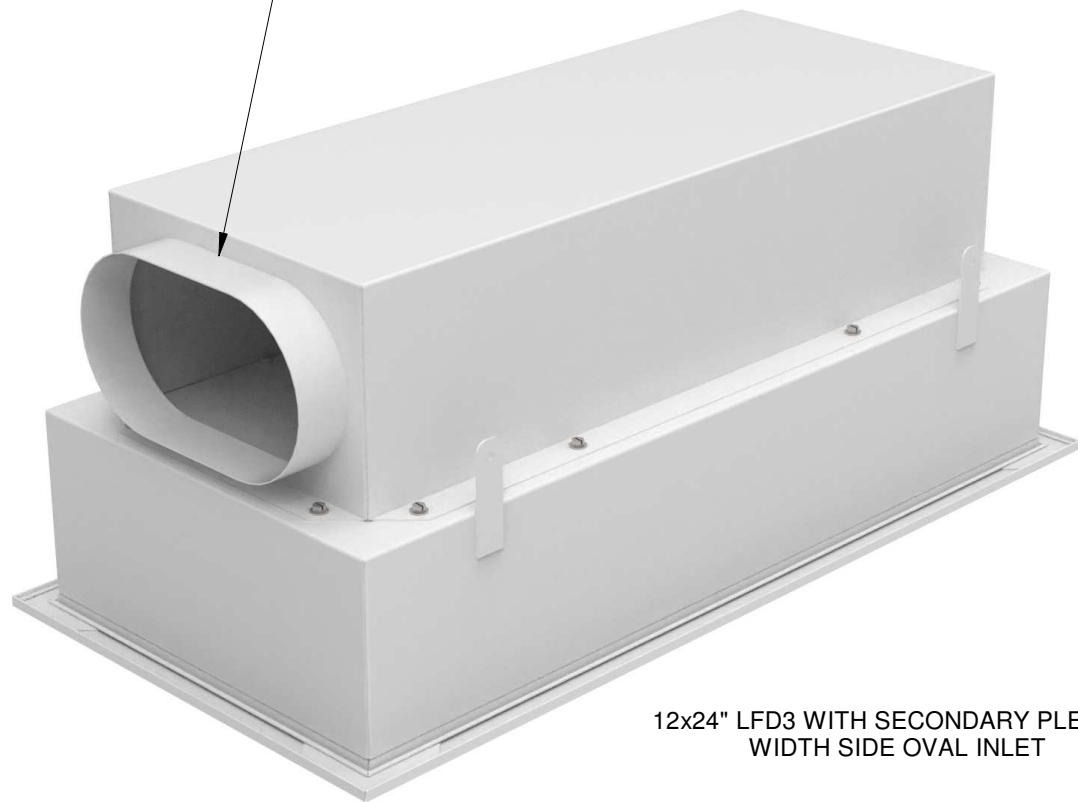
LAMINAR FLOW DIFFUSER SECONDARY PLENUM WITH SIDE INLET DETAILS

IMPERIAL UNITS (INCHES)

Inlet Size	Oval Inlet Equivalent		
Round Size	Plenum Height(H)	Inlet Height(I)	Inlet Width(W)
6	5.000	4.000	7.000
8	5.000	4.000	10.125
10	5.000	4.000	13.250
12	5.000	4.000	16.375

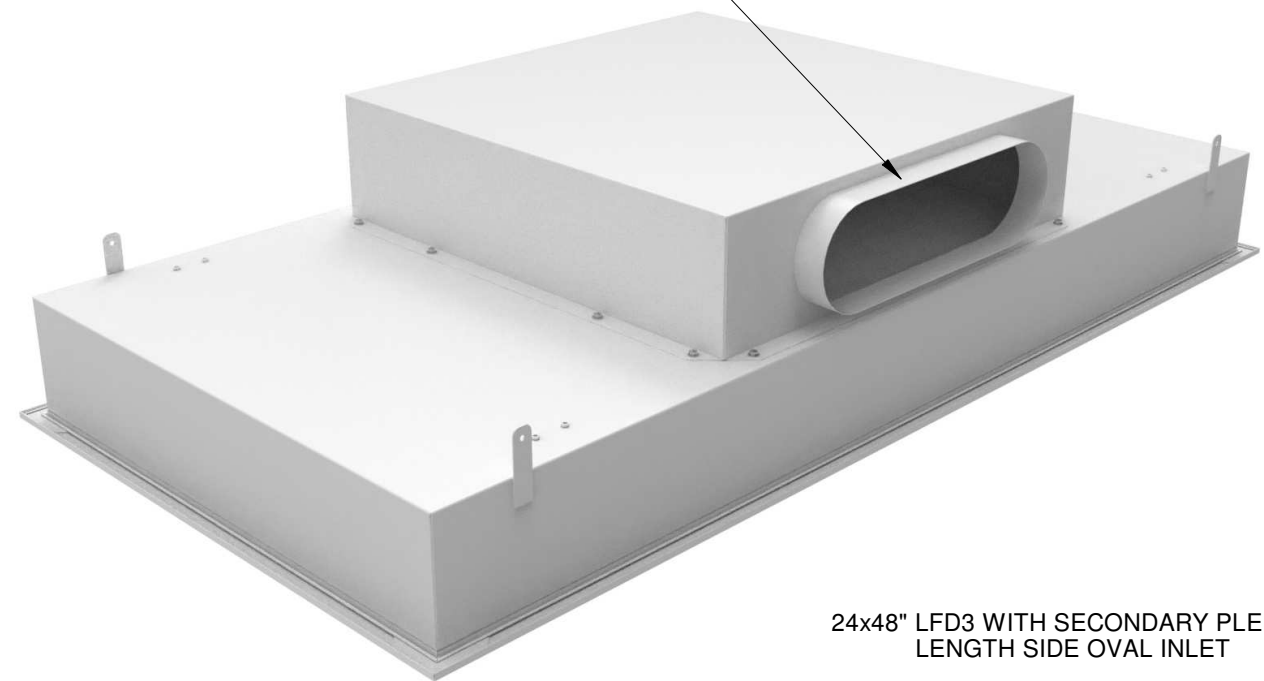


SIDE-W
SECONDARY PLENUM WITH WIDTH SIDE OVAL INLET



12x24" LFD3 WITH SECONDARY PLENUM
WIDTH SIDE OVAL INLET

SIDE-L
SECONDARY PLENUM WITH LENGTH SIDE OVAL INLET



24x48" LFD3 WITH SECONDARY PLENUM
LENGTH SIDE OVAL INLET

PRICE | **CRITICAL ENVIRONMENTS**

PROJECT:

275208

Revision: 0

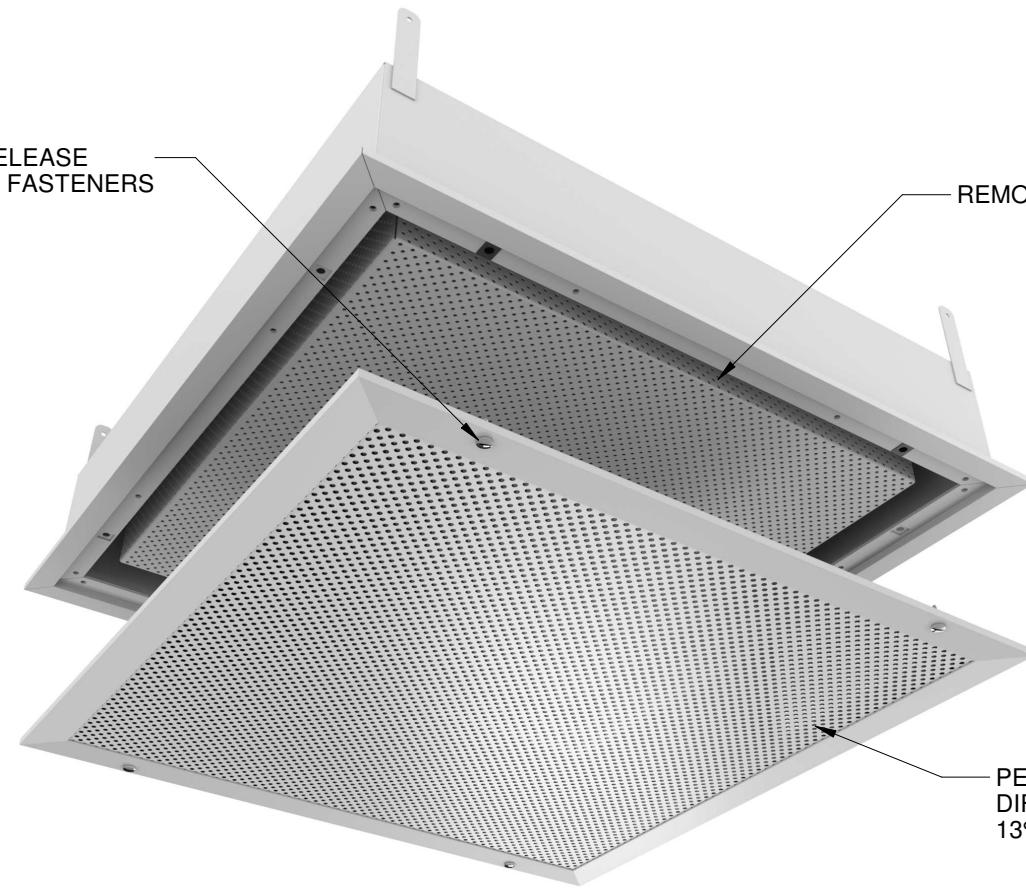
03-13-2023

LFD3

LAMINAR FLOW DIFFUSER CEILING MOUNTING DETAILS

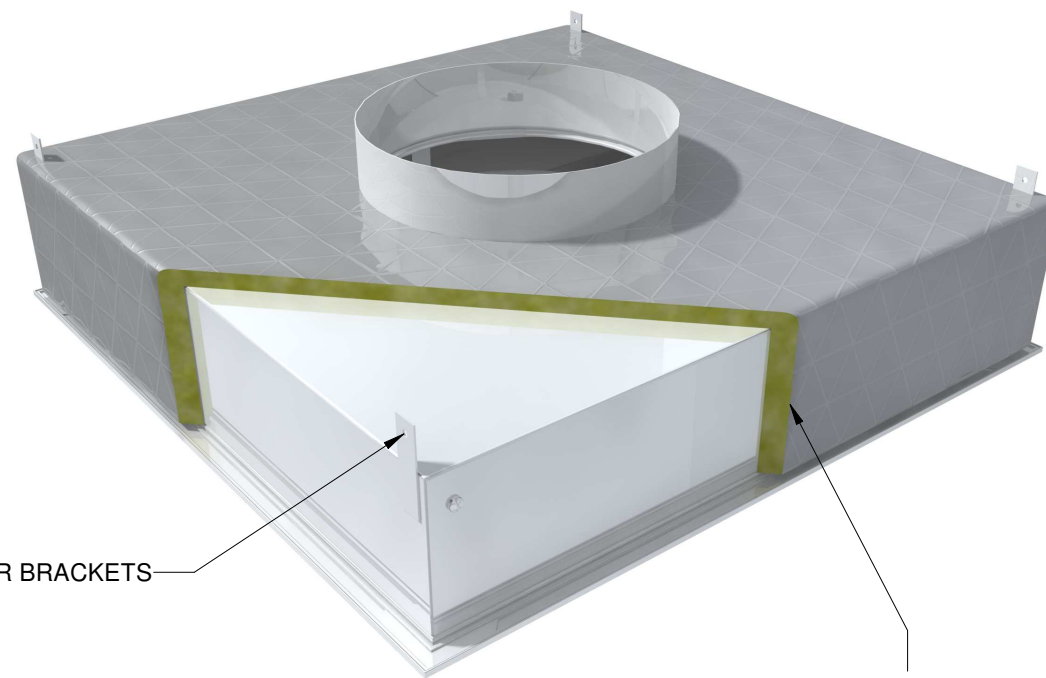
QUICK RELEASE
1/4 TURN FASTENERS

REMOVABLE BAFFLE PACK



PERFORATED
DIFFUSER FACE
13% FREE AREA

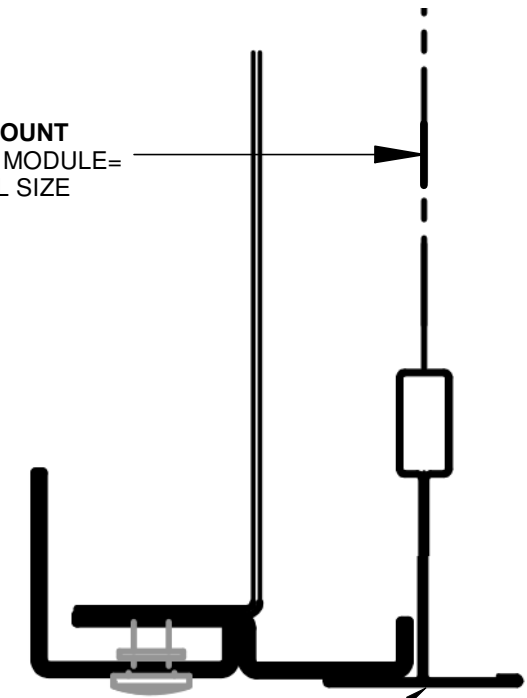
HANGER BRACKETS



OPTIONAL 0.5" OR 1.5" THICK ALUMINUM FOIL-BACKED
FIBERGLASS EXTERNAL INSULATION

T-BAR MOUNTING DETAIL

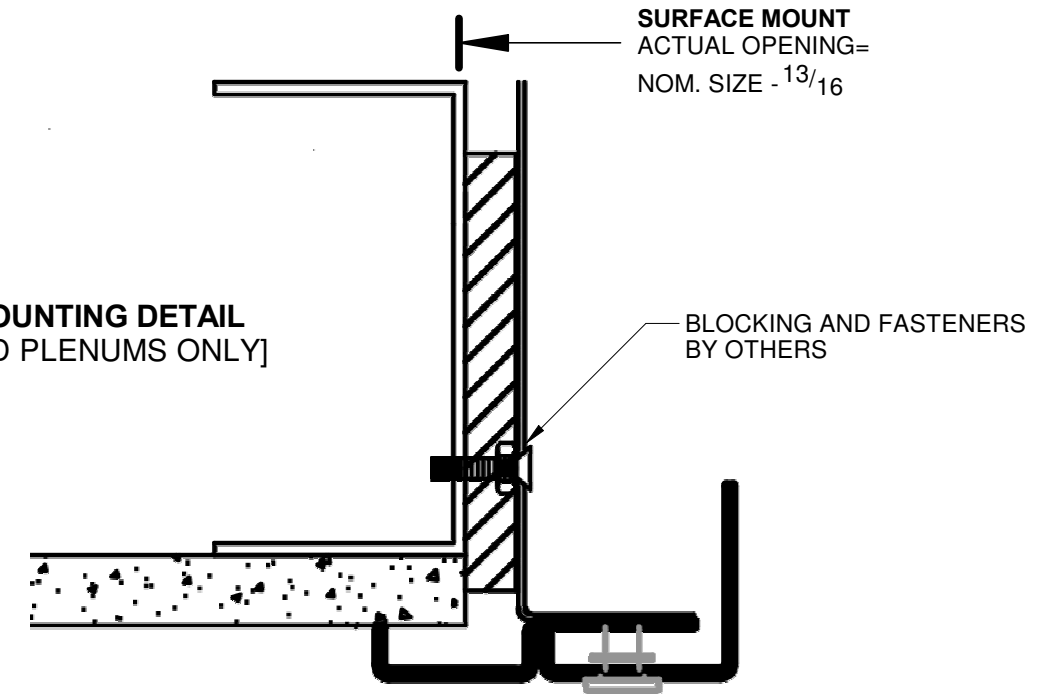
T-BAR MOUNT
CEILING MODULE=
NOMINAL SIZE



FOR 15/16", 1" & 1-1/2" CLEANROOM TEE
INSTALLED BY OTHERS

SURFACE MOUNTING DETAIL [UNINSULATED PLENUMS ONLY]

SURFACE MOUNT
ACTUAL OPENING=
NOM. SIZE - 13/16



BLOCKING AND FASTENERS
BY OTHERS

PRICE | **CRITICAL ENVIRONMENTS**

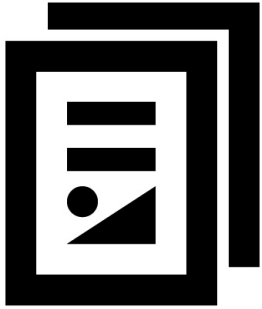
PROJECT:

275208

Revision: 0

03-13-2023

LFD3
LAMINAR FLOW DIFFUSER
SUPPORTING CONTENT



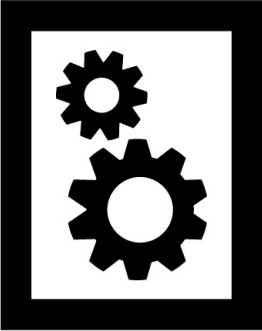
CATALOG / PERFORMANCE

LFD LAMINAR FLOW DIFFUSER CATALOG
LFD LAMINAR FLOW DIFFUSER PERFORMANCE DATA
LFD LAMINAR FLOW DIFFUSER PERFORMANCE DATA (METRIC)



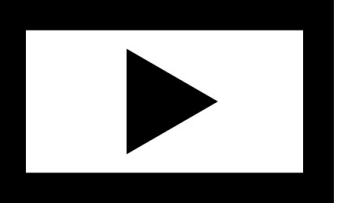
SPECIFICATIONS

LFD3 LAMINAR FLOW DIFFUSER SPECIFICATION



MANUALS

DIFFUSER INSTALLATION MANUAL



VIDEOS

HIGH PERFORMANCE MANUFACTURING ON CRITICAL ENVIRONMENTS PRODUCTS



CASE STUDIES

LFD LAMINAR FLOW DIFFUSER REPRESENTATIVE PROJECT LIST
CRITICAL ENVIRONMENTS CASE STUDY LIBRARY



FOR MORE INFORMATION ON PRICE LAMINAR FLOW DIFFUSERS,
VISIT PRICEINDUSTRIES.COM

PRICE CRITICAL ENVIRONMENTS		
PROJECT:		
275208	Revision: 0	03-13-2023